

Ahoskie Hertford County



Legend

- Add New
- Retrofit

Kelford Bertie County



Legend

- Add New
- Retrofit

Lewiston Woodville Bertie County



Legend

- Add New
- Retrofit

Murfreesboro Hertford County



Legend

- Add New
- Retrofit

Roxobel Bertie County



Legend

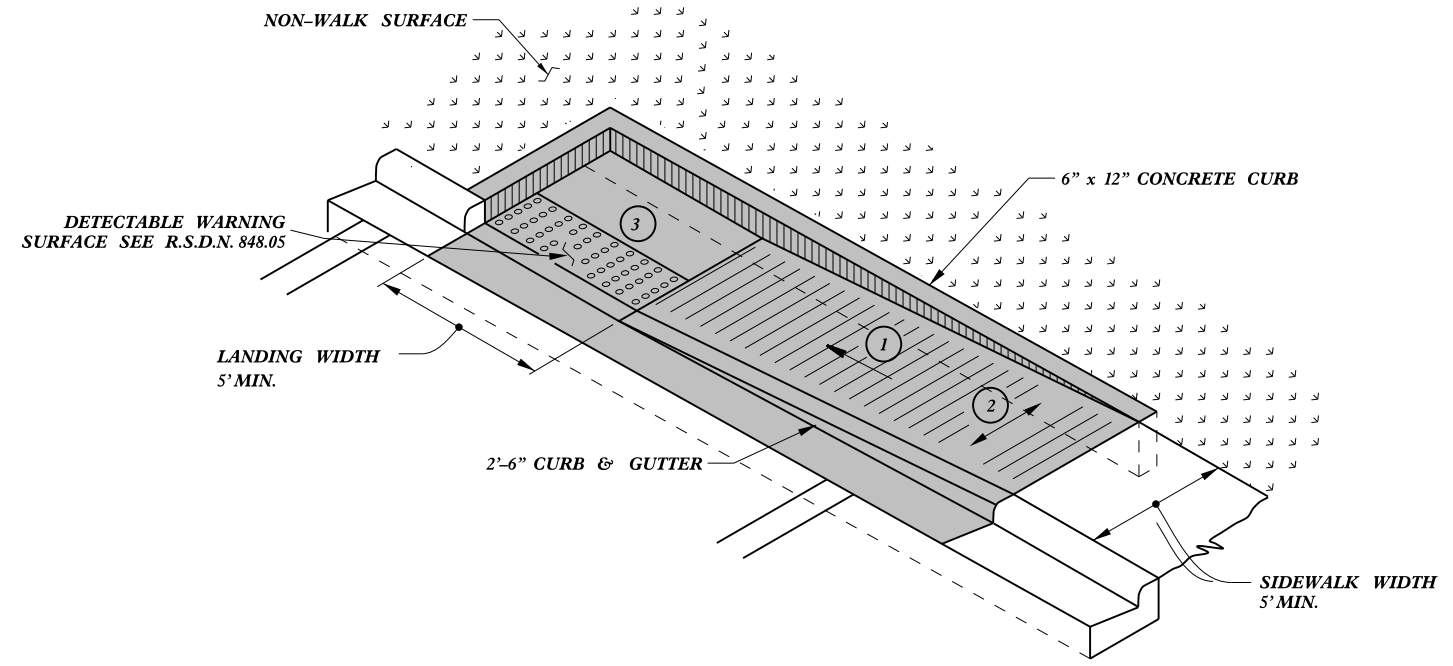
- Add New
- Retrofit

Severn Northampton County

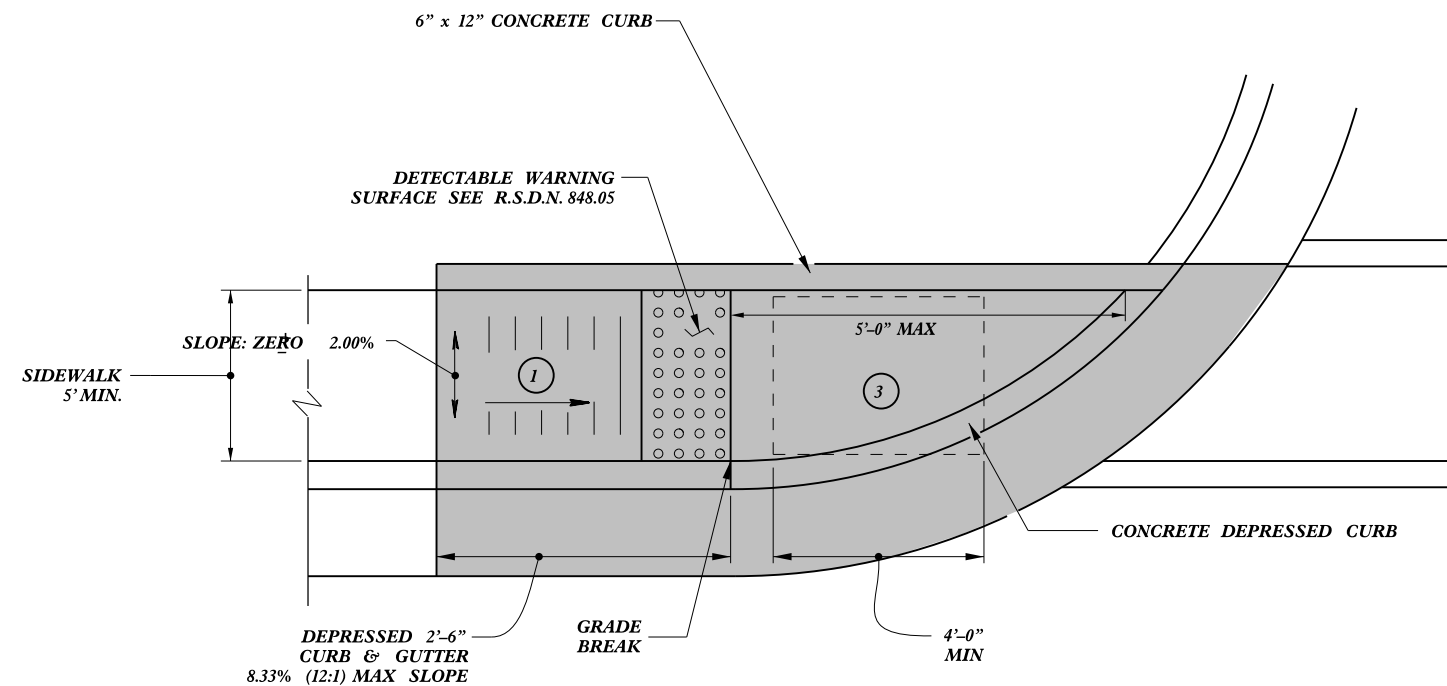


Legend

- Add New
- Retrofit



TYPE 1A



TYPE 1

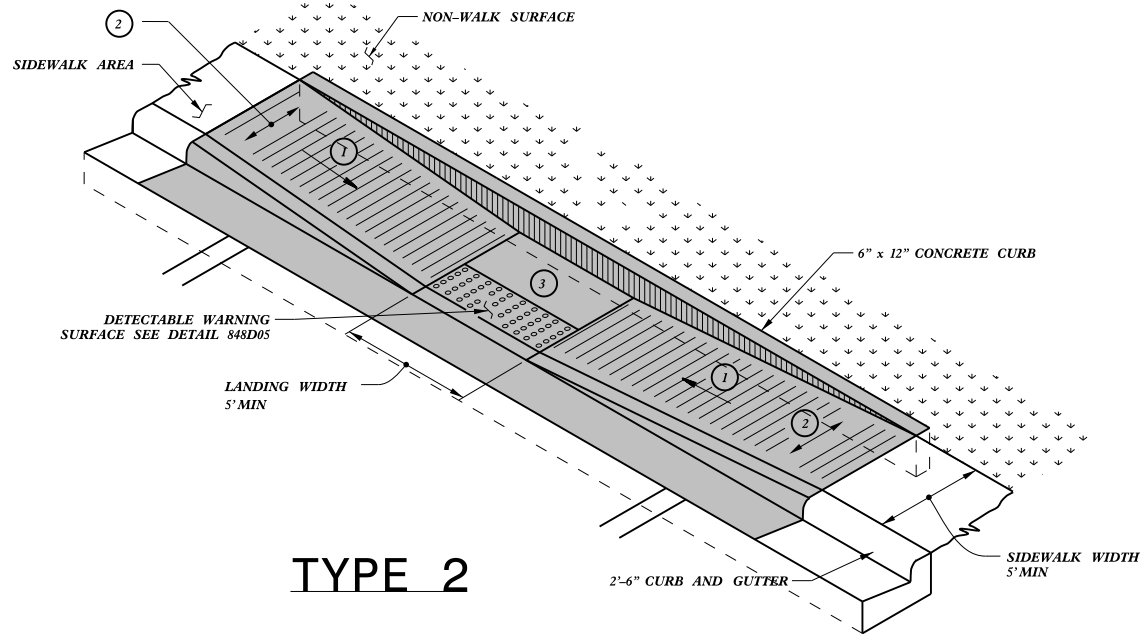
- ① 8.33% (12:1) MAX RAMP SLOPE
- ② CROSS SLOPE: 2.00%
- ③ CURB RAMPS REQUIRE A (4'-0") MINIMUM LANDING WITH A MAXIMUM CROSS SLOPE AND LONGITUDINAL SLOPE OF 2.00% WHERE PEDESTRIANS PERFORM TURNING MANEUVERS. SLOPE TO DRAIN TO CURB.

PAY LIMITS FOR CURB RAMP

CONTRACT STANDARDS AND DEVELOPMENT UNIT	
Office 919-707-6950	FAX 919-250-4119
CURB RAMPS	
Directional Ramps	
ORIGINAL BY: J.S. HOWERTON	DATE: 7/7/11
MODIFIED BY:	DATE:
CHECKED BY:	DATE:
FILE SPEC: sstds/2012CurbRamp/CurbRampDetails.dwg	

REFER TO ROADWAY STANDARD DRAWING NUMBER 848.05 SHEET 3 OF 3 FOR ALL RAMP NOTES

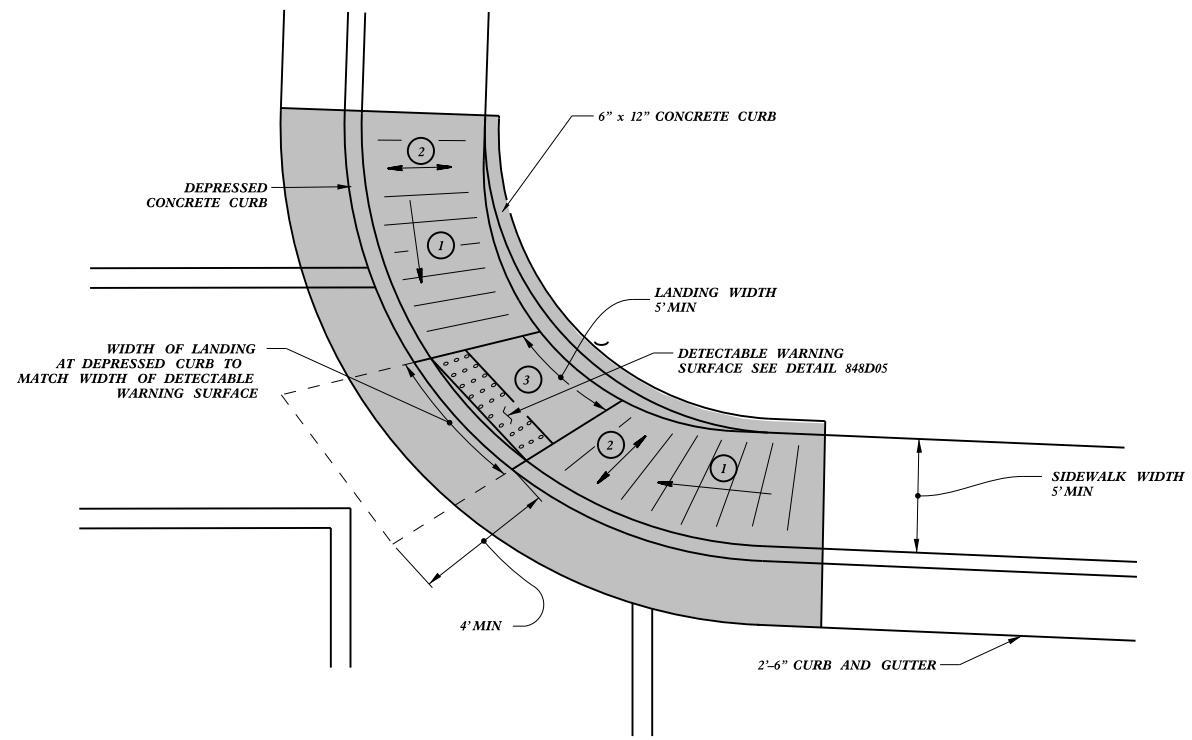
23-MAR-2012 15:05 J:\Projects\2012\Standard Drawings\2012 Standard Drawings\Curb Ramp Special Details\Curb Ramp Details.dwg J.Howerton AT 15023750



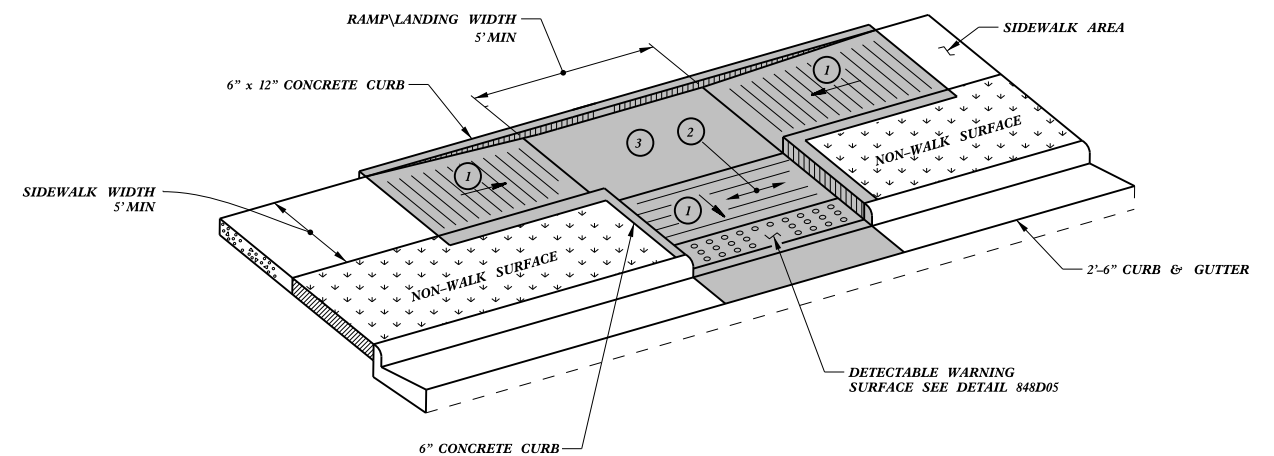
TYPE 2

PAY LIMITS FOR CURB RAMP

- ① 8.33% (12:1) MAX RAMP SLOPE
- ② CROSS SLOPE: 2.00%
- ③ CURB RAMPS REQUIRE A (4'-0") MINIMUM LANDING WITH A MAXIMUM CROSS SLOPE AND LONGITUDINAL SLOPE OF 2.00% WHERE PEDESTRIANS PERFORM TURNING MANEUVERS. SLOPE TO DRAIN TO CURB.



TYPE 2A



TYPE 3

CONTRACT STANDARDS AND DEVELOPMENT UNIT	
Office 919-707-6950	FAX 919-250-4119
CURB RAMPS	
Parallel Ramps	
ORIGINAL BY: J.S. HOWERTON	DATE: 7/7/11
MODIFIED BY:	DATE:
CHECKED BY:	DATE:
FILE SPEC: sstds/2012CurbRamp/CurbRampDetails.dwg	

REFER TO ROADWAY STANDARD DRAWING NUMBER 848.05 SHEET 3 OF 3 FOR ALL RAMP NOTES

23-MAR-2012 15:07 J:\Contracts\Special Details\Howerton\Standard Drawings\2012 Standard Drawings\Curb Ramp Special Details\Curb Ramp Details.dwg
 J:\Contracts\Special Details\Howerton\Standard Drawings\2012 Standard Drawings\Curb Ramp Special Details\Curb Ramp Details.dwg
 J:\Contracts\Special Details\Howerton\Standard Drawings\2012 Standard Drawings\Curb Ramp Special Details\Curb Ramp Details.dwg

Division	County	Municipality	Under 5k Population? (Y/N)	Major Route	Minor Route	Number of New Ramps	New Ramp ID	Number of Retrofit Ramps	Retrofit Ramp ID
1	BERTIE	KELFORD	Y	NC-308	NORFLEET ST	1	3288	N/A	
1	BERTIE	KELFORD	Y	NC-308	SR-1204	4	173, 174, 175, 3286	N/A	
1	BERTIE	KELFORD	Y	NC-308	FIRE DEPARTMENT/START SIDEWALK	1	176	N/A	
1	BERTIE	LEWISTON WOODVILLE	Y	NC-308	SR-1145	2	163, 164	1	162
1	BERTIE	LEWISTON WOODVILLE	Y	NC-308	DUCK THRU	N/A		4	158, 159, 160, 161
1	BERTIE	LEWISTON WOODVILLE	Y	NC-308 & NC-11		1	3289	N/A	
1	BERTIE	LEWISTON WOODVILLE	Y		SR-1145	4	169, 170, 171, 172	N/A	
1	BERTIE	ROXOBEL	Y	NC-308	SR-1139	2	199, 200	N/A	
1	BERTIE	ROXOBEL	Y	NC-308	SR-1208	N/A		2	197,198
1	BERTIE	ROXOBEL	Y	NC-308	RUBY ST	2	195, 3290	1	196
1	BERTIE	ROXOBEL	Y	NC-308	PECAN ST	1	194	N/A	
1	BERTIE	ROXOBEL	Y		SR-1208 & RUBY ST	N/A		1	201
1	HERTFORD	AHOSKIE	Y		SR-1409 & CHURCH ST	2	432, 435	2	433, 434
1	HERTFORD	MURFREESBORO	Y	US-158 BUS & US-258		2	3438, 3439	N/A	
1	HERTFORD	MURFREESBORO	Y	US-158 BUS	DIAMOND ST	2	386, 3440	N/A	
1	HERTFORD	MURFREESBORO	Y	US-158 BUS	BOYETTE ST	2	384, 385	N/A	
1	HERTFORD	MURFREESBORO	Y	US-158 BUS	SR-1335	2	383, 3441	N/A	
1	HERTFORD	MURFREESBORO	Y		SR-1179 & HASSELL DR	1	3445	1	3444
1	HERTFORD	MURFREESBORO	Y		SR-1179 @ ACROSS FROM HELMS CENTER	N/A		1	3443
1	HERTFORD	MURFREESBORO	Y		SR-1179 & PARKER HALL	N/A		1	389
1	NORTHAMPTON	SEVERN	Y	NC-35	SR-1334	2	34, 35	N/A	
1	NORTHAMPTON	SEVERN	Y		SR-1334 & MEHERRIN ST	N/A		1	3357
1	NORTHAMPTON	SEVERN	Y		SR-1334 @ POST OFFICE	2	38, 3487	N/A	
					SR-1334 & WAREHOUSE ST	1	3488	N/A	
1	NORTHAMPTON	SEVERN	Y		SR-1334 & SR-1335	N/A		2	36, 37
1	NORTHAMPTON	SEVERN	Y		SR-1335 & SOUTH ST	N/A		1	33

PROJECT NO.	SHEET NO.
44911.3.2	

SUMMARY OF QUANTITIES

WBS NO	COUNTIES	ROUTE	DESCRIPTION	MOBILIZATION LS	AC PLANT MIX (REPAIR) TONS	2'-6" CURB & GUTTER LF	4" CONCRETE SIDEWALK SY	CONCRETE CURB RAMPS EA	RETROFIT EXISTING CURB RAMPS EA	TEMPORARY TRAFFIC CONTROL LS
44911.3.2	Bertie, Hertford, Northampton	Various	Curb Ramp Installation and Retrofits	1	15	200	120	35	18	1
TOTAL				1	15	200	120	35	18	1